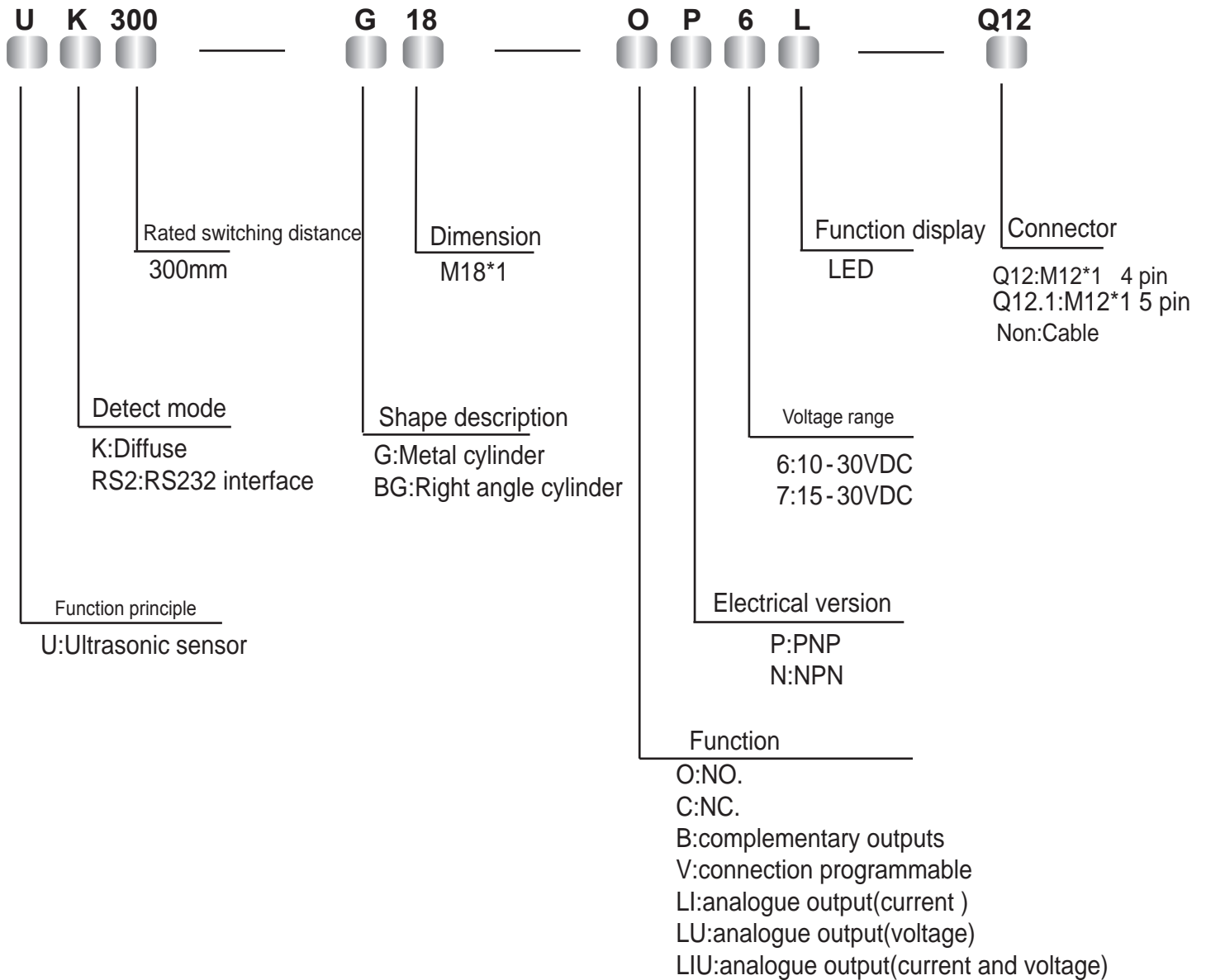
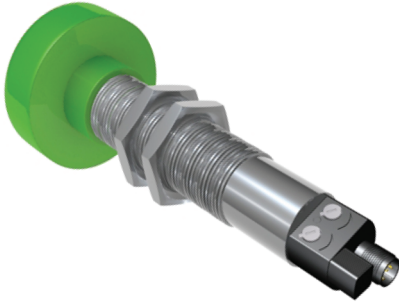


Ultrasonic sensors - Type code

Only for identification of existing type designations





Compact and easy connect
TEACH-IN or Programmable
Analogue output
Switching output

M18 Diffuse



Type	Rated switching distance	Voltage range	Switching frequency	Output	Protection degree	Connector		
UK300-G18-VP6L-Q12	30-300mm	10-30VDC	13Hz	PNP N.O./N.C.	IP65	M12*1 4 pin		
UK300-BG18-VP6L-Q12				NPN N.O./N.C.				
UK300-G18-VN6L-Q12								
UK300-BG18-VN6L-Q12								
UK300-G18-LI6L-Q12		15-30VDC	analogue	Current (4-20mA)				
UK300-BG18-LI6L-Q12				Voltage (0-10V)				
UK300-G18-LU7L-Q12								
UK300-BG18-LU7L-Q12								
UK500-G18-2VP6L-Q12.1	30-500mm	10-30VDC	8Hz	PNP N.O./N.C.	IP65	M12*1 5 pin		
UK500-G18-2VN6L-Q12.1				NPN N.O./N.C.				
UK500-G18-LI6L-Q12.1		analogue	Current (4-20mA)					
UK500-G18-LU7L-Q12.1			15-30VDC	Voltage (0-10V)				
UK1000-G18-2VP6L-Q12.1	70-1000mm	10-30VDC	3Hz	PNP N.O./N.C.			IP65	M12*1 5 pin
UK1000-G18-2VN6L-Q12.1				NPN N.O./N.C.				
UK1000-G18-LI6L-Q12.1		analogue	Current (4-20mA)					
UK1000-G18-LU7 L-Q12.1			15-30VDC	Voltage (0-10V)				

M30 Diffuse



Type	Rated switching distance	Voltage range	Switching frequency	Output	Protection degree	Connector	
UK2000 - G30 - VP6L - Q12.1	80 - 2000mm	10 - 30VDC	3.3Hz	PNP N.O./N.C.	IP65	M12*1 5 pin	
UK4000 - G30 - VP6L - Q12.1	200 - 4000mm		1.5Hz				
UK6000 - G30 - VP6L - Q12.1	350 - 6000mm		0.8Hz				
UK2000 - G30 - VN6L - Q12.1	80 - 2000mm		3.3Hz	NPN N.O./N.C.			
UK4000 - G30 - VN6L - Q12.1	200 - 4000mm		1.5Hz				
UK6000 - G30 - VN6L - Q12.1	350 - 6000mm		0.8Hz				
UK500 - G30 - 2VPRS2 - Q12.1	30 - 500mm		7Hz	PNP N.O./N.C. RS232 interface			
UK2000 - G30 - 2VPRS2 - Q12.1	80 - 2000mm		2.5Hz				
UK4000 - G30 - 2VPRS2 - Q12.1	200 - 4000mm		1Hz				
UK6000 - G30 - 2VPRS2 - Q12.1	350 - 6000mm		0.5Hz				
UK500 - G30 - 2VNRS2 - Q12.1	30 - 500mm		7Hz	NPN N.O./N.C. RS232 interface			
UK2000 - G30 - 2VNRS2 - Q12.1	80 - 2000mm		2.5Hz				
UK4000 - G30 - 2VNRS2 - Q12.1	200 - 4000mm		1Hz				
UK6000 - G30 - 2VNRS2 - Q12.1	350 - 6000mm		0.5Hz				
UK500 - G30 - LIURS2 - Q12.1	30 - 500mm		analogue				Current (4 - 20mA) Voltage (0 - 10V) RS232 interface
UK2000 - G30 - LIURS2 - Q12.1	80 - 2000mm						
UK4000 - G30 - LIURS2 - Q12.1	200 - 4000mm						
UK6000 - G30 - LIURS2 - Q12.1	350 - 6000mm						

Specifications

Electrical Data

Voltage range	10...30VDC/15...30VDC
Vipple voltage	10%
Rated operating current	200mA max
Voltage drop	2.0 V max/3.0 V max(at 150 mA)

Response

Time-delay	As sample
Display switch state	LED
Output function	Switching output/Analogue output

Mechanical Data

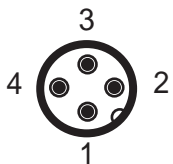
Housing material	Metal
Weight	As sample
Connector	M12*1 4/5 pin

Others

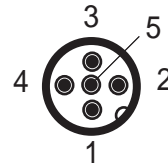
Ambient temperature	As sample
Protection circuit	Over loading
	Short circuit
	Reverse polarity
	Instantaneous over-voltage

Protection degree IP65

Wiring diagram

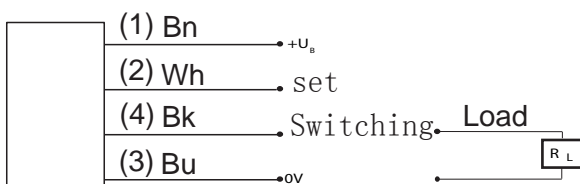


4 pin sequence

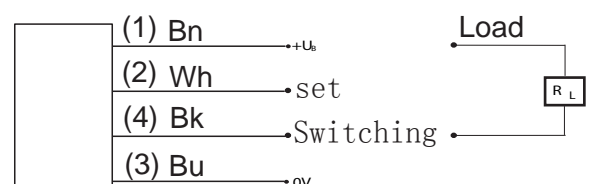


5 pin sequence

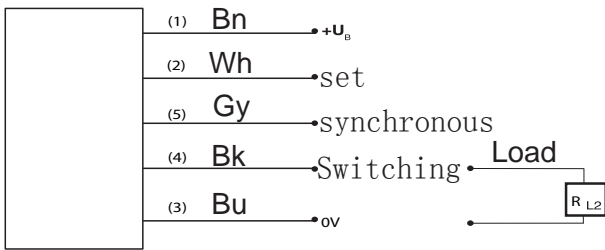
PNP N.O.



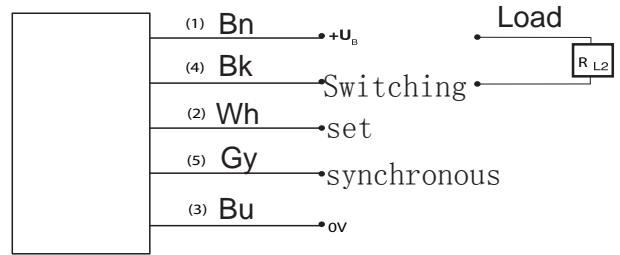
NPN N.O.



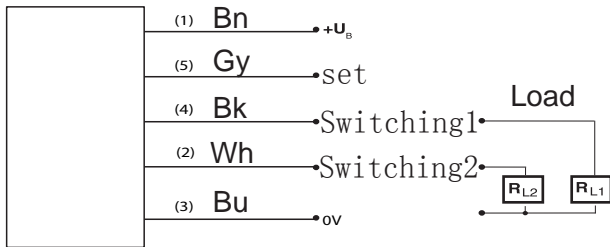
PNP N.O. OR N.C.



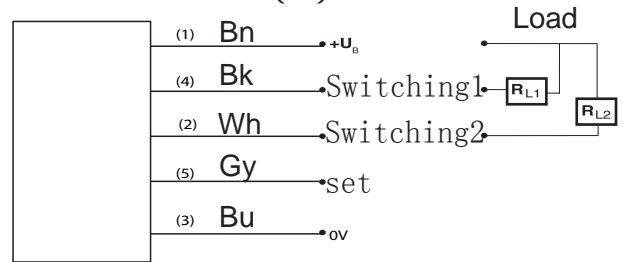
NPN N.O. OR N.C.



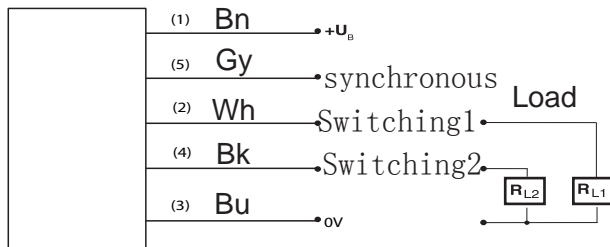
2xPNP N.O. OR N.C. (1)



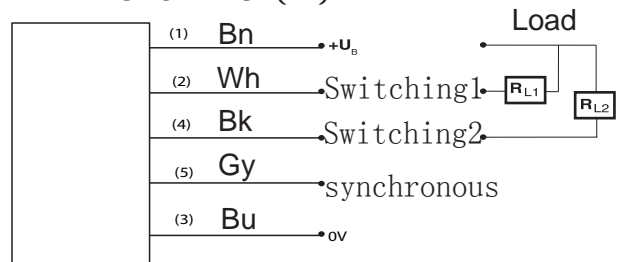
2xNPN N.O. OR N.C. (1)



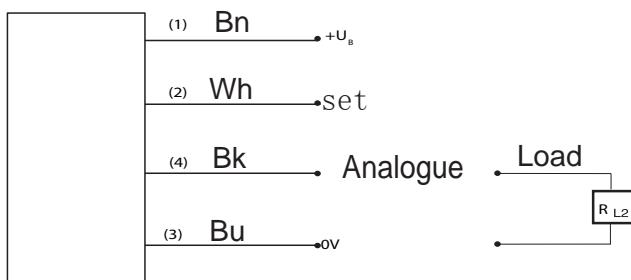
2xPNP N.O. OR N.C. (2)



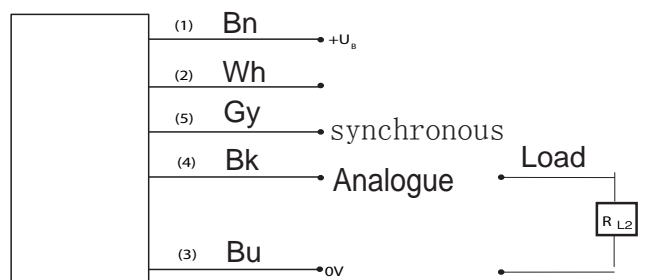
2xNPN N.O. OR N.C. (2)



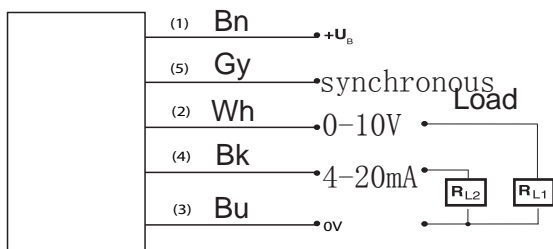
Analogue (1)



Analogue (2)

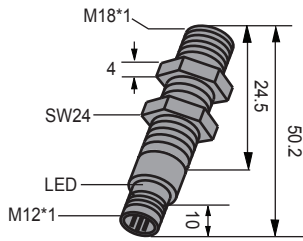


Analogue (3)

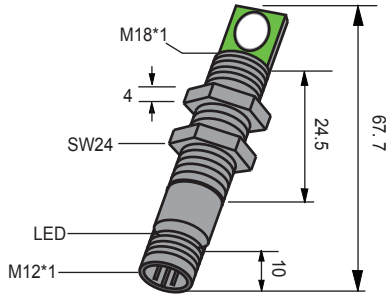


Wiring diagram

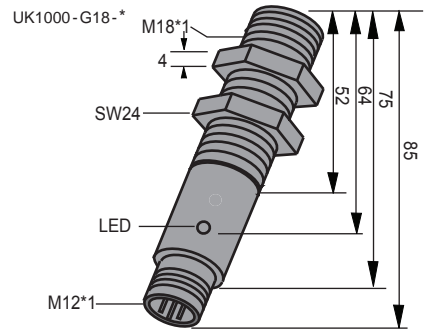
UK300-G18-*



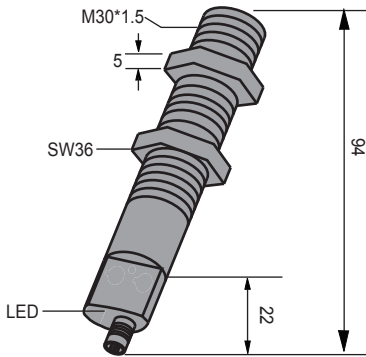
UK300-BG18-*



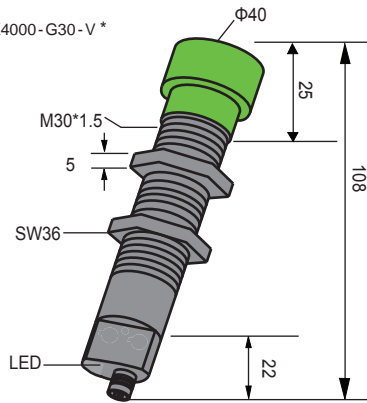
UK500-G18-*



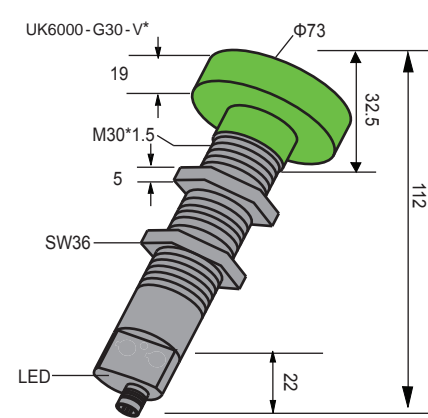
UK2000-G30-V*



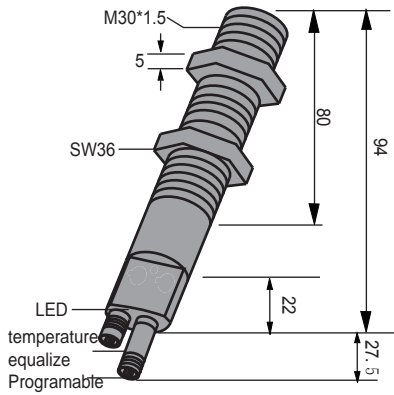
UK4000-G30-V*



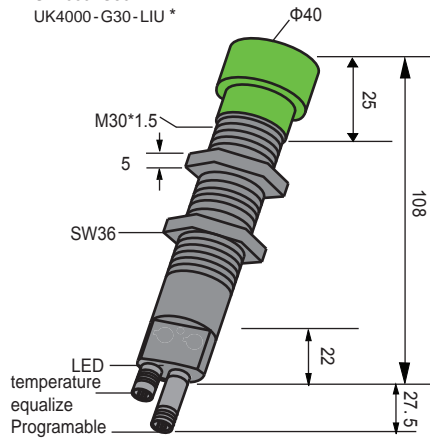
UK6000-G30-V*



UK500-G30-2V*
UK2000-G30-2V*
UK500-G30-LIU*
UK2000-G30-LIU*



UK4000-G30-2V*
UK4000-G30-LIU*



UK6000-G30-2V*
UK6000-G30-LIU*

