

Type	S3-B 3-pole, 1 connection level Coding ring optional Integrated retaining clip and labelling space
-------------	--

Rated current	10 A
----------------------	-------------

Specifications

Rated load	10 A / 250 V
Insulation	Test voltage V rms / 1 min
All terminals/DIN rail	2,5 kV
– Terminal/terminal	2,5 kV
Cross-section of connecting wire	
– Single-wire	4 mm ² or 2 x 2,5 mm ²
– Multi-wire	22 - 14 AWG
Max. screw torque	1,2 Nm
Screw dimensions	M3, Pozi, slot
Integrated retaining clip/plastic	for relay series C3
Labelling space	detachable
Connection label	1... 11; DIN/EN
Mounting	DIN rail T35 or mounting plate
Ambient temperature	-40 (no ice)...60 °C / -40 ... 80 °C
Weight	55g

Associated, plug-in 11-pin MRC relays

Suitable for holding the Releco coding ring
For coding the relay and the socket.

**C3-A, C3-G, C3-T, C3-X, C3-M, C3-R,
C3-E, C3-N, C3-S**

Accessories**Coding ring, blue set:**

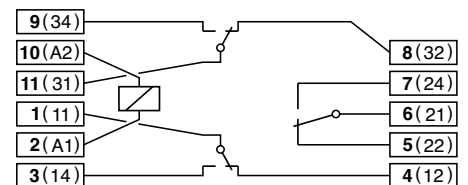
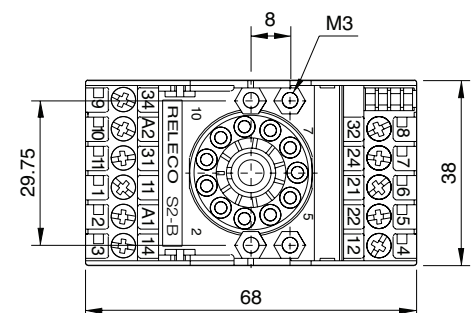
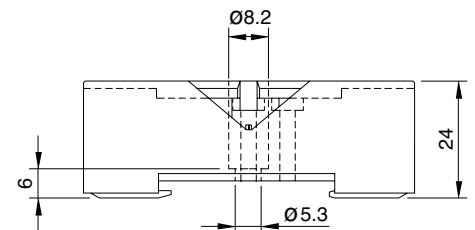
Retaining spring, steel
Retaining clip, plastic

S3-BC

Packaging unit: 5 pcs

S3-C, S3-CT (with Timecube)

CP-15B

**Connection diagram****Dimensions [mm]****Technical approvals, conformities**

EN 60947-1, EN 61810-1

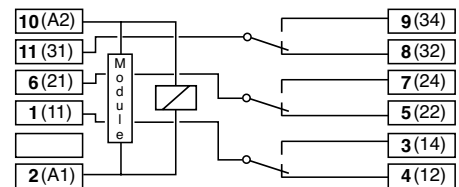
Type	S3-MP 3-pole, 1 connection level Integrated retaining clip and labelling space Accepts plug-in modules M3P in parallel with the coil
Rated current	10 A
Specifications	
Rated load	10 A / 250 V
Insulation	Test voltage V rms / 1 min
- All terminals/DIN rail	2,5 kV
- Terminal/terminal	2,5 kV
Cross-section of connecting wire	
- Single-wire	4 mm ² or 2 x 2,5 mm ²
- Multi-wire	22 - 14 AWG
Max. screw torque	1,2 Nm
Screw dimensions	M3, Pozzi, slot
Integrated retaining clip/plastic	for relay series C3
Labelling space	detachable
Connection label	1...11; DIN/EN
Mounting	DIN rail T35 or mounting plate
Ambient temperature operation/storage	-40 (no ice)...60 °C / -40 ... 80 °C
Weight	54g



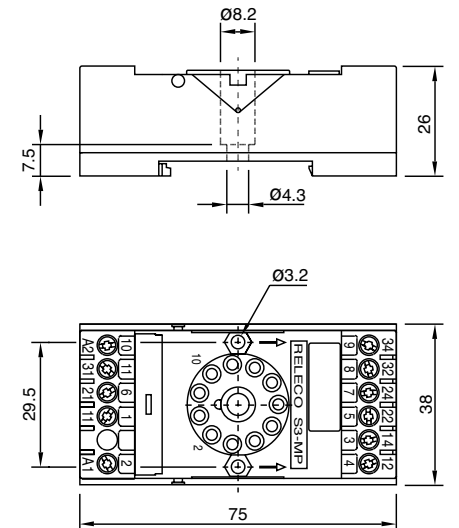
Associated, plug-in 11-pin MRC relays	C3-A, C3-G, C3-T, C3-X, C3-M, C3-R, C3-E, C3-N, C3-S
Suitable for holding the Releco coding ring	
For coding the relay and the socket.	

Accessories	
Coding ring, blue set:	S3-BC
	Packaging unit: 5 pcs
Paralel module	M3P
Retaining spring, steel	S3-C, S3-CT (with Timecube)
Retaining clip, plastic	CP-15B

Connection diagram



Dimensions [mm]



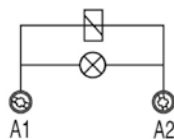
M3P Plug in modules for S3-MP



In parallel with the coil

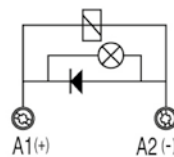
Signaling LED

M3P-X / 24 Vac/dc
M3P-X / 48 Vac/dc
M3P-X / 110 ... 125 Vac/dc
M3P-X / 200 ... 230 Vac/dc



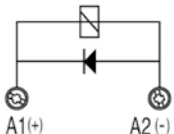
Free wheeling diode and LED

M3P-DX / 24 Vdc
M3P-DX / 48 Vdc
M3P-DX / 110 ... 125 Vdc
M3P-DX / 200 ... 230 Vdc



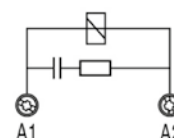
Free wheeling diode

M3P-DL / 12 ... 60 Vdc
M3P-DH / 12 ... 250 Vdc



RC suppressor
(LED not available)

M3P-RC / 20 ... 50 Vac
M3P-RC / 110 ... 120 Vac
M3P-RC / 220 ... 240 Vac



Technical approvals, conformities



EN 60947-1, EN 61810-1

S3-MS

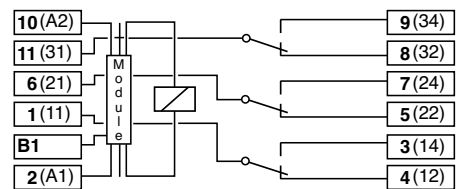
Socket for 11-pin standard relay according to IEC 67-I-18b

Type	S3-MS 3-pole, 1 connection level Integrated retaining clip and labelling space Accepts plug-in modules M3-S in series with the coil
Rated current	10 A
Specifications	
Rated load	10 A / 250 V
Insulation	Test voltage V rms / 1 min
- All terminals/DIN rail	2,5 kV
- Terminal/terminal	2,5 kV
Cross-section of connecting wire	
- Single-wire	4 mm ² or 2 x 2,5 mm ²
- Multi-wire	22 - 14 AWG
Max. screw torque	1,2 Nm
Screw dimensions	M3, Pozi, slot
Integrated retaining clip/plastic	for relay series C3
Labelling space	detachable
Connection label	1...11; DIN/EN
Mounting	DIN rail T35 or mounting plate
Ambient temperature operation/storage	-40 (no ice)...60 °C /-40 ... 80 °C
BI Terminal for further applications	
Weight	57g
Associated, plug-in 11-pin-MRC-Relais	C3-A, C3-G, C3-T, C3-X, C3-M, C3-R, C3-E, C3-N, C3-S
Suitable for holding the Releco coding ring For coding the relay and the socket.	

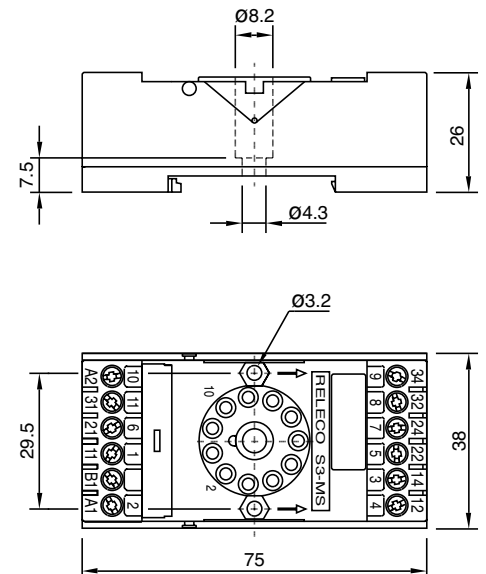


Accessories	
Coding ring, blue set:	S3-BC Packaging unit: 5 pcs
Parallel module	M3-S
Retaining spring, steel	S3-C, S3-CT (with Timecube)
Retaining clip, plastic	CP-15B

Connection diagram



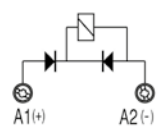
Dimensions [mm]



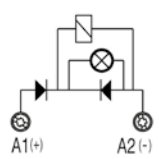
M3S Plug in modules for S3-MS

In series with the coil

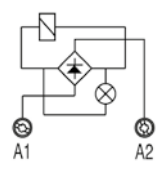
Free wheeling and polarity
M3S-FL / 12 ... 60 Vdc
M3S-FH / 12 ... 250 Vdc



Free wheeling, polarity and LED
M3S-FX / 24 Vdc
M3S-FX / 48 Vdc
M3S-FX / 110 ... 125 Vdc
M3S-FX / 200 ... 230 Vdc



Rectifier bridge and LED
M3S-B / 12 ... 48 Vac/dc
M3S-BX / 12 Vac/dc
M3S-BX / 24 Vac/dc
M3S-BX / 48 Vac/dc



Technical approvals, conformities



EN 60947-1, EN 61810-1

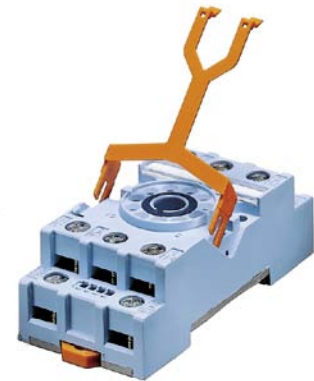
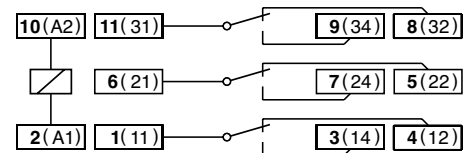
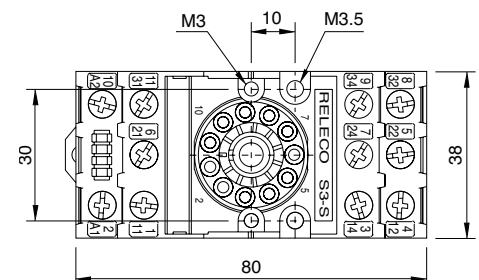
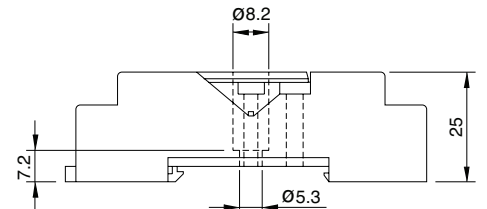
Type	S3-S 3-pole, 2 connection level Coding ring optional Integrated retaining clip and labelling space
Rated current	10 A
Specifications	
Rated load	10 A / 250 V
Insulation	Test voltage V rms / 1 min
– All terminals/DIN rail	2,5 kV
– Terminal/terminal	2,5 kV
Cross-section of connecting wire	
– Single-wire	4 mm ² or 2 x 2,5 mm ²
– Multi-wire	22 - 14 AWG
Max. screw torque	1,2 Nm
Screw dimensions	M3, Pozi, slot
Integrated retaining clip/plastic	for relay series C3
Labelling space	detachable
Connection label	1...11; DIN/EN
Mounting	DIN rail T35 or mounting plate
Ambient temperature operation/storage	-40 (no ice)...60 °C / -40 ... 80 °C
Weight	69g

Associated, plug-in 11-pin MRC relays	C3-A, C3-G, C3-T, C3-X, C3-M, C3-R, C3-E, C3-N, C3-S
Suitable for holding the Releco coding ring	
For coding the relay and the socket.	

DIN rail or panel mounting. Removable label.
EN /DIN and sequential numbering. According to EN 60947.1 and IEC 61810.1

Accessories

Coding ring, Set red:	S3-BC
Retaining spring, steel	Packaging unit: 5 pcs
Retaining clip, plastic	S3-C, S3-CT (with Timecube) CP-15B

**Connection diagram****Dimensions [mm]****Technical approvals, conformities**

EN 60947-1, EN 61810-1

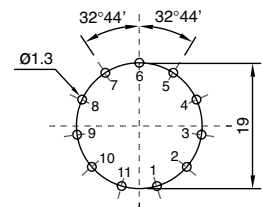
S3-L, S3-P, S3-PO

Socket for PCB and soldering, according to IEC 67-I-5b for relays C3-...

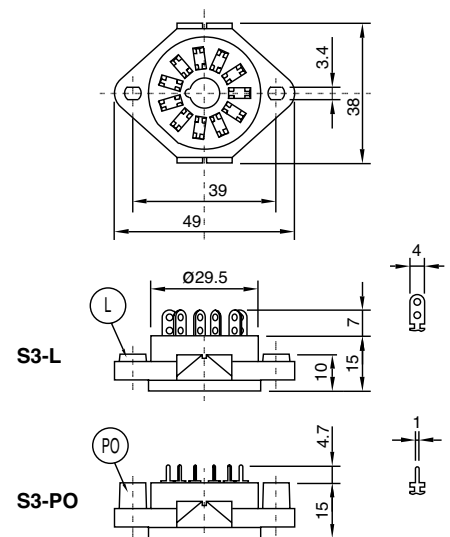
Type	S3-L 3-pole, flange panel mountable
	S3-PO 3-pole, printed circuit with flange
Rated current	10 A
Specifications	
Rated load	10 A / 250 V
Dielectric strength adjacent pin	2.5 kV
Weight	17g
Accessories	
Retaining spring, steel	S3-C



Printed circuit lay-out [mm]



Dimensions [mm]



Technical approvals, conformities



EN 60947-1, EN 61810-1