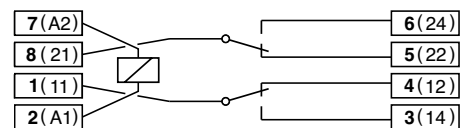
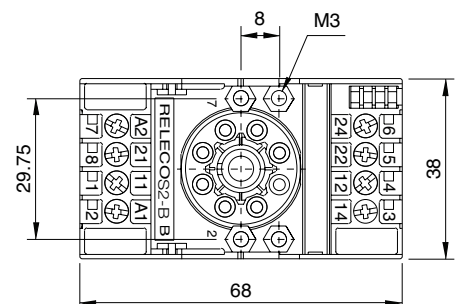
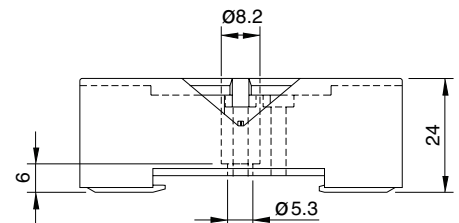


| | |
|---------------------------------------|--|
| Type | S2-B 2-pole, 1 connection level Coding ring optional Integrated retaining clip and labelling space |
| Rated current | 10 A |
| Specifications | |
| Rated load | 10 A / 300 V |
| Insulation | Test voltage V rms / 1 min |
| – All terminals/DIN rail | 2,5 kV |
| – Terminal/terminal | 2,5 kV |
| Cross-section of connecting wire | |
| – Single-wire | 4 mm ² or 2 x 2,5 mm ² |
| – Multi-wire | 22 - 14 AWG |
| Max. screw torque | 1,2 Nm |
| Screw dimensions | M3, Pozi, slot |
| Integrated retaining clip/plastic | for relay series C2 |
| Labelling space | detachable |
| Connection label | 1...8; DIN/EN |
| Mounting | DIN rail T35 or mounting plate |
| Ambient temperature operation/storage | -40 (no ice)...60 °C / -40 ... 80 °C |
| Weight | 48g |

| | |
|---|-------------------------|
| Associated, plug-in 8-pin MRC relays | C2-A, C2-G, C2-T |
| Suitable for holding the Releco coding ring For coding the relay and the socket. | |

| | |
|-------------------------|---|
| Accessories | |
| Coding ring, blue set: | S2-BC |
| Retaining spring, steel | Packaging unit: 5 pcs |
| Retaining clip, plastic | S3-C, S3-CT (with Timecube) CP-15B |

**Connection diagram****Dimensions [mm]****Technical approvals, conformities**

EN 60947-1, EN 61810-1

| | |
|-------------|--|
| Type | S2-S 2-pole, 2 connection level Coding ring optional Integrated retaining clip and labelling space |
|-------------|--|

| | |
|----------------------|-------------|
| Rated current | 10 A |
|----------------------|-------------|

Specifications

| | |
|---------------------------------------|--|
| Rated load | 10 A / 300 V |
| Insulation | Test voltage V rms / 1 min |
| – All terminals/DIN rail | 2,5 kV |
| – Terminal/terminal | 2,5 kV |
| Cross-section of connecting wire | |
| – Single-wire | 4 mm ² or 2 x 2,5 mm ² |
| – Multi-wire | 22 - 14 AWG |
| Max. screw torque | 1,2 Nm |
| Screw dimensions | M3, Pozi, slot |
| Integrated retaining clip/plastic | for relay series C2 |
| Labelling space | detachable |
| Connection label | 1...8; DIN/EN |
| Mounting | DIN rail T35 or mounting plate |
| Ambient temperature operation/storage | -40 (no ice)...60 °C / -40 ... 80 °C |
| Weight | 58g |

Associated, plug-in 8-pin MRC relays

C2-A, C2-G, C2-T
Suitable for holding the Releco coding ring
For coding the relay and the socket.

Accessories

Coding ring, blue set:

S2-BC

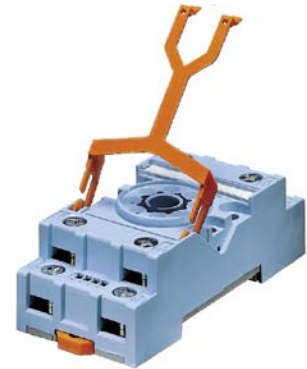
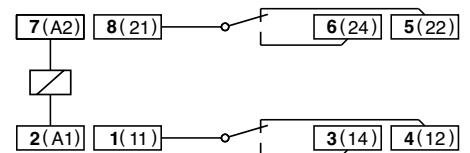
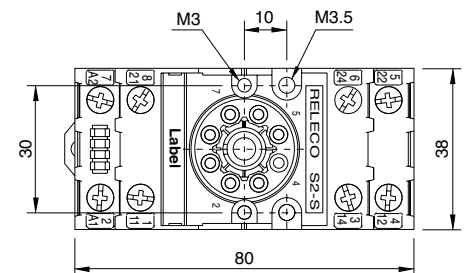
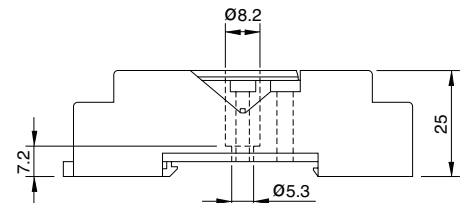
Packaging unit: 5 pcs

Retaining spring, steel

S3-C, S3-CT (with Timecube)

Retaining clip, plastic

CP-15B

**Connection diagram****Dimensions [mm]****Technical approvals, conformities**

EN 60947-1, EN 61810-1

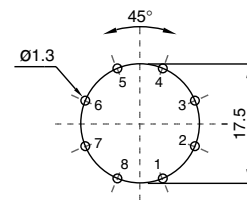
S2-L, S2-P, S2-PO

Socket for PCB and soldering according to IEC 67-I-5b for relays C2-...

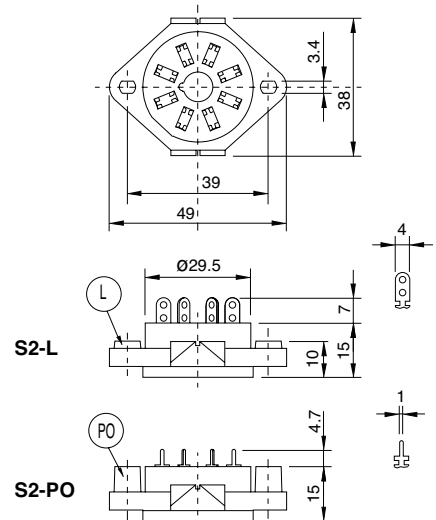
| | |
|---------------------------------------|---|
| Type | S2-L 2-pole, flange panel mountable |
| | S2-P 2-pole, printed circuit |
| | S2-PO 2-pole, printed circuit with flange |
| Rated current | 10 A |
| Specifications | |
| Rated load | 10 A / 300 V |
| Insulation | test voltage Vrms / 1min |
| Between terminals | 2,5 kV |
| Connection label | 1...8; DIN/EN |
| Ambient temperature operation/storage | -40 (no ice)...60 °C / -40 ... 80 °C |
| Weight | 17g |
| Accessories | |
| Retaining spring, steel | S3-C |



Printed circuit lay-out [mm]



Dimensions [mm]



Technical approvals, conformities



EN 60947-1, EN 61810-1